

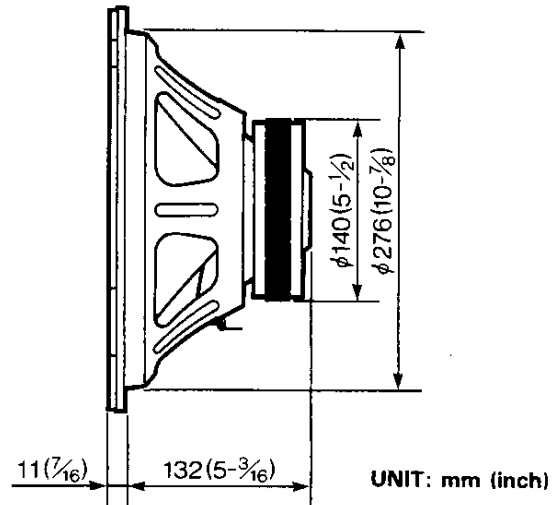
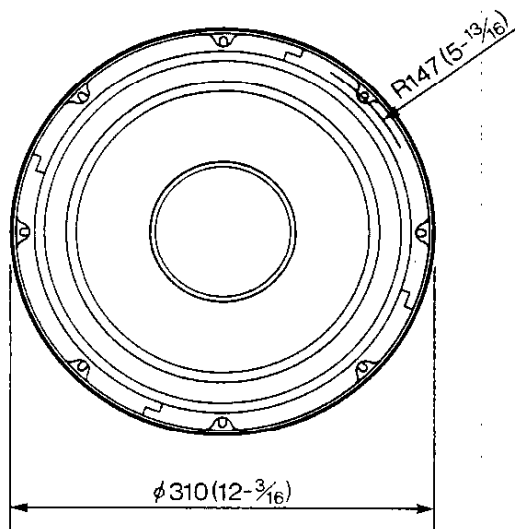
KFC-W212

SERVICE MANUAL

KENWOOD

©1990-8 PRINTED IN JAPAN
B51-6131-10(T) 1057

EXTERNAL VIEW



UNIT: mm (inch)

SPECIFICATIONS

Speaker	30cm (12 in) Cone Type
	988g (34.8oz) Magnet
Peak Power	300 Watts
Sensitivity	90 dB/W at 1m
Frequency Response	30Hz ~ 3,000Hz
Resonant Frequency (Fo)	38 Hz
Impedance	4 Ohms
Weight Per Speaker	3.9 kg (8.6 lb)/Pc.

(KENWOOD follows a policy of continuous advancements in development. For this reason specifications may be changed without notice.)

PARTS LIST

★ New parts

Parts without **Parts No.** are not supplied.

Les articles non mentionnés dans le **Parts No.** ne sont pas fournis.

Teile ohne **Parts No.** werden nicht geliefert.

Ref No.	New Parts	Parts No.	Description
	★	N99-1143-08	SCREW SET
	★	T10-0465-08	SPEAKER